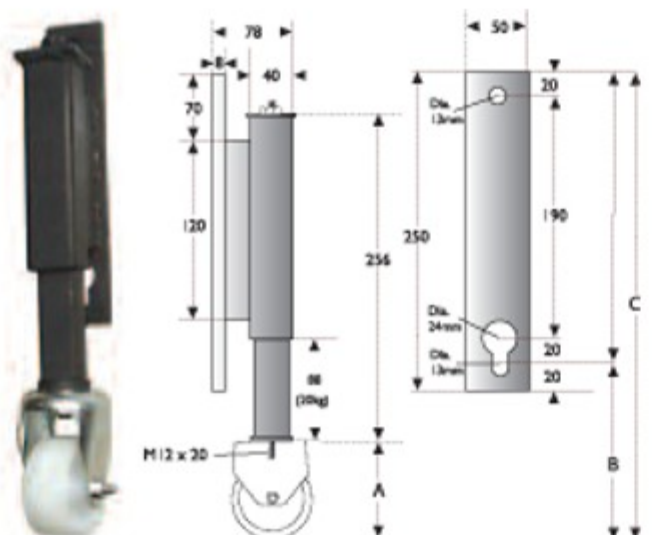


Gate Castors and Plate Skates

Universal Gate Castors

With a Black weatherproof finish for outdoor use, bracket bodies are fabricated in heavy duty steel. Castor bodies fitted are Zinc plated, with wheels in sizes from 63mm to 125mm. Telescopic compression starts at 20kg of pressure and will be fully compressed at 30 kg with a maximum travel of 65mm.

Fit to gates using 12mm Bolts.

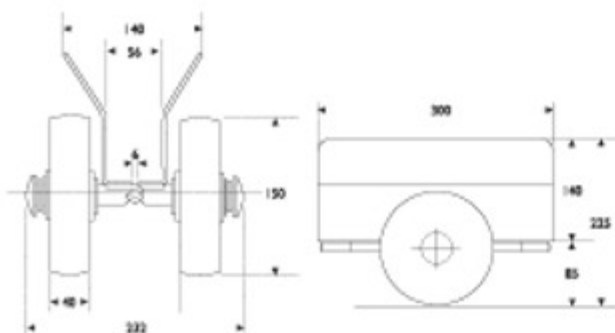


| Castor Height A (mm) | Fitting Heights (mm) | | Wheel Type | Catalogue Reference |
|----------------------|----------------------|-----|----------------------------|---------------------------|
| | B | C | | |
| 92 | 154 | 394 | 63mm Nylon | GCBF063NY |
| 104 | 166 | 396 | 75mm Nylon | GCBF075NY |
| 134 | 196 | 426 | 100mm Nylon | GCBF100NY |
| 134 | 196 | 426 | 100mm Rubber Tyred | GCBF100RU |
| 159 | 221 | 451 | 125mm Nylon | GCBF125NY |
| 159 | 221 | 451 | 125mm Rubber Tyred | GCBF125RU |
| 159 | 221 | 451 | 125mm Poly Tyred Cast Iron | GCBF125PT |

FULLY ENCLOSED SPRING FOR OUTDOOR USE

Panel / Plate Skate

A simple and effective means of moving large or cumbersome sheet materials. The hardwearing steel skates automatically adjust to any material thickness up to 56mm. Fitted with two 150mm Nylon wheels and in a black powder coated finish the Maximum load capacity is 250kg per unit.



| Wheel Dia. (mm) | Overall Height (mm) | Overall Length (mm) | Tread Width (mm) | Load Cap. (kg) | Wheel Type | Unit Weight (kg) | Catalogue Reference |
|-----------------|---------------------|---------------------|------------------|----------------|------------|------------------|--------------------------|
| 20X 150 | 225 | 300 | 2 X 40 | 250 | Nylon | 4.2 | KPS15056 |