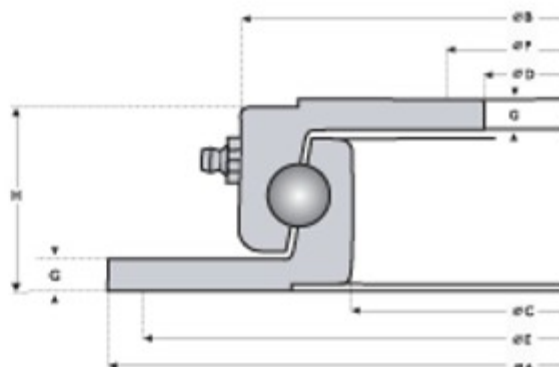


Trailer Turntables and Glass Handling Castors

Turntables

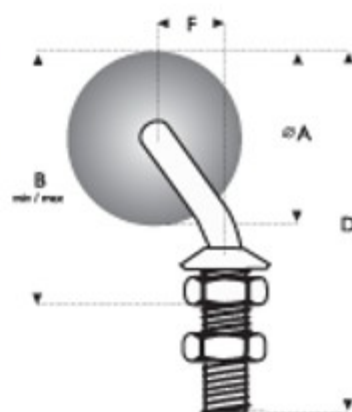
A range of ball bearing turntables for fitting to trailers and agricultural vehicles. Connecting the 'A' frame with the trailer chassis they allow swivel action at speeds of up to 15mph. Axial load ratings from 500kg to 3500kg. Supplied undrilled.



Axial Load (kg)	Unit Weight (kg)	A (mm)	B (mm)	C (mm)	D (mm)	E (mm)	F (mm)	G (mm)	H (mm)	J (mm)	Catalogue Reference
750	11	400	342	292	230	375	260	8	45	-	400L
900	15	500	442	392	330	475	360	8	45	-	500L
1500	20	650	592	542	480	625	510	8	45	-	650L
1800	23	750	692	642	580	725	610	8	45	-	750L
2500	27	850	792	742	680	825	710	8	45	-	850L

SPG Series Glass Handling Castors

Specialist castors for applications involving glass handling or other materials with delicate or polished surfaces. Available in 35mm or 50mm sizes they can be supplied with Rubber, cost effective Polyurethane or long lasting Vulkollan balls for heavier duty or more arduous applications. To prevent the ingress of dust inclined wheel bearings and dust covers are supplied as standard. Designed to be mounted in suitable base plates predrilled with 14mm holes, then adjusted for height to suit. Replacement balls are available, contact any of the Sales offices for details.



Dia. A (mm)	Load Cap. (kg)	Operating Height B		D (mm)	E (mm)	F (mm)	Turning circle (mm)	Catalogue Reference					
		Min (mm)	Max (mm)					Rubber Left Handed	Rubber Right Handed	Polyurethane Left Handed	Polyurethane Right Handed	Vulkollan Left Handed	Vulkollan Right Handed
35	12	54	71	87	14	20	75	RBGL35075	RBGR35075	WKGL35075	WKGR35075	VKGL3075	VKGR35075
50	20	69	91	107	14	22	94	RBGL50100	RBGR50100	WKGR50100	WKGR50100	VKGL50100	VKGR50100