

Heavy Duty Castors: 720kg - 1500kg

2SH & 2FH Series Twin Wheel

A range of heavy gauge forged steel castors with twin wheels that offer a larger 'footprint' and easier turning due to differential action of the wheels. Offering low overall height the range features hardened ball race swivel heads, serving as both thrust and radial bearings. Twin wheel 2SH castors are supplied with metal swivel seals as standard. Hydraulic grease nipple on swivel ring allows ease of maintenance. The closed base of the swivel ring prevents downward escape of lubricant and completes grease reservoir. Sideplates are press formed to a cylindrical shape to give the best strength to weight ratio and are continuously welded to the swivel ring.

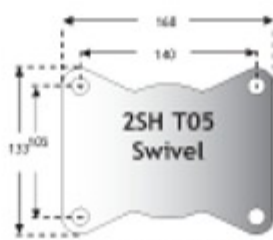
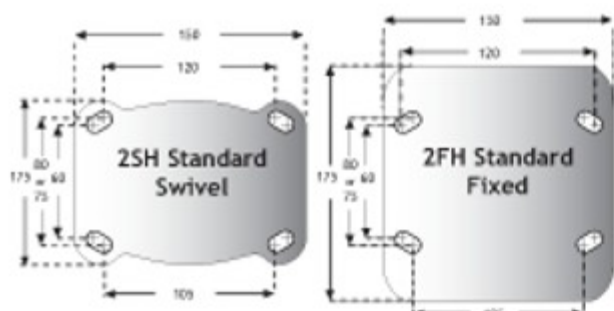
Load capacities to 1500Kg.
Maximum towing speed 6kph.



- Heavy Duty Range
- Heavy duty forged steel bracket
- Hardened ball race swivel ring head
- Selection of wheel types

- Load Capacities of 720 - 1500Kg
- Directional lock option
- Twin wheel lock options
- Wheel sizes from 125mm to 250mm

| Wheel Dia. (mm) | Tread Width (mm) | Load Cap. (kg) | Overall Height (mm) | Plate / Bolt Hole Dimensions (mm) | | Suits Bolt Dia (mm) | Wheel Type | Bearing Type | Swivel Radius (mm) | Catalogue Reference | | | |
|-----------------|------------------|----------------|---------------------|-----------------------------------|-------------|---------------------|--------------------------------------|--------------|--------------------|---------------------|-------------|----------------------|------------|
| | | | | Plate | Hole Ctrs | | | | | Swivel | Wheel Brake | Swivel & Wheel Brake | Fixed |
| 125 | 2 x 38 | 720 | 177 | S 150 x 110 F 150 x 175 | 105 x 80/75 | 10 | Polyurethane Tyre / Cast Iron Centre | Roller | 125 | 2SH125PT1H | - | - | 2FH125PT1H |
| 125 | 2 x 45 | 945 | 177 | S 150 x 110 F 150 x 175 | 105 x 80/75 | 10 | Cast Iron | Roller | 125 | 2SH125C1H | - | - | 2FH125C1H |
| 150 | 2 x 38 | 1240 | 202 | S 150 x 110 F 150 x 175 | 105 x 80/75 | 10 | Polyurethane Tyre / Cast Iron Centre | Roller | 140 | 2SH150PT15 | - | - | 2FH150PT15 |
| 150 | 2 x 50 | 1360 | 202 | S 150 x 110 F 150 x 175 | 105 x 80/75 | 10 | Nylon | Ball Journal | 140 | 2SH150NY2H | - | - | 2FH150NY2H |
| 150 | 2 x 45 | 1365 | 202 | S 150 x 110 F 150 x 175 | 105 x 80/75 | 10 | Cast Iron | Roller | 140 | 2SH150C15 | - | - | 2FH150C15 |
| 200 | 2 x 45 | 1500 | 252 | S 150 x 110 F 150 x 175 | 105 x 80/75 | 10 | Polyurethane Tyre / Cast Iron Centre | Roller | 170 | 2SH200PT15 | - | - | 2FH200PT15 |
| 200 | 2 x 50 | 1500 | 252 | S 150 x 110 F 150 x 175 | 105 x 80/75 | 10 | Nylon | Ball Journal | 170 | 2SH200NY2H | - | - | 2FH200NY2H |
| 200 | 2 x 45 | 1500 | 252 | S 150 x 110 F 150 x 175 | 105 x 80/75 | 10 | Cast Iron | Roller | 170 | 2SH200C15 | - | - | 2FH200C15 |

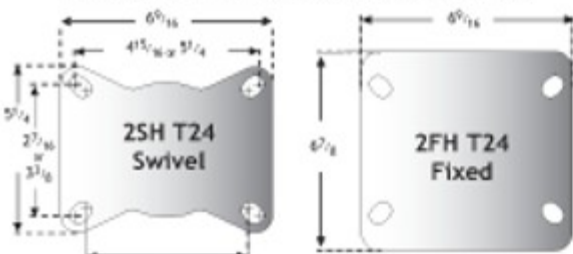


140 x 105 for 12mm bolt
To order add T05 to Catalogue reference.

Twin Wheel Locks
Available on all swivel castors in the 2SH range. A simple hand operated parking lock. To order add suffix W to the Catalogue reference.



Ball Journal Bearings
Available on all sizes of castor with Polyurethane tyred cast iron wheels. To order substitute PT2H for PT1H in the Catalogue reference.



To order add T24 to Catalogue reference.

4-Way Directional Lock
A four station plunger converting swivel castors into fixed for straight line travel. To order add the suffix D to the Catalogue reference.



Extra Heavy Duty Castors: 3060kg - 4675kg

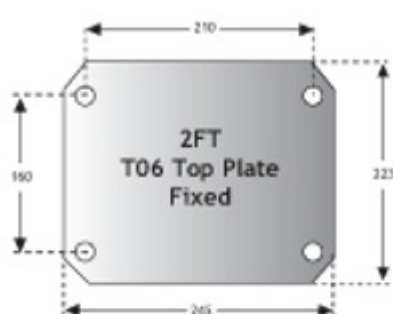
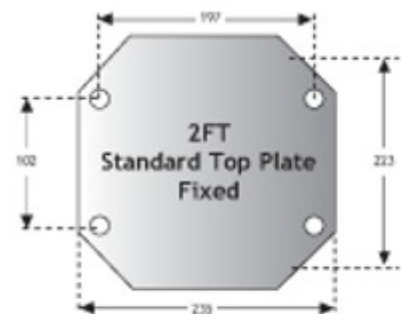
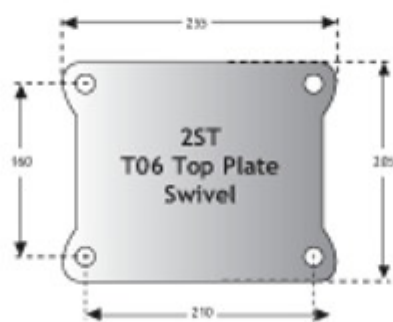
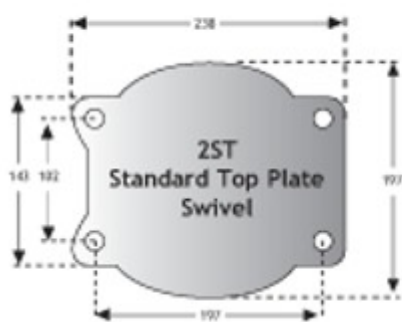
2ST & 2FT Series

This twin wheeled range are based upon the TST range. The twin wheel design allows heavier loads without increasing the wheel diameter. Compact overall height is therefore maintained. For use in harsh conditions with heavy loading, poor floor conditions and shock loading. The polyurethane tyred wheels use Vulkollan polyurethane. Load capacities to 4675Kg. Maximum towing speed 6kph.



- Extra Heavy Duty Range
- Fabricated heavy gauge steel brackets
- Hardened 20mm ball race swivel ring heads
- Vulkollan Polyurethane tyred wheels
- Load Capacities of 3060 - 4675Kg
- 4 Station directional lock option
- Wheel lock option
- Wheel sizes from 200mm to 300mm

| Wheel Dia. (mm) | Tread Width (mm) | Load Cap. (kg) | Overall Height (mm) | Plate / Bolt Hole Dimensions (mm) | | Suits Bolt Dia. (mm) | Wheel Type | Bearing Type | Swivel Radius (mm) | Catalogue Reference | | |
|-----------------|------------------|----------------|---------------------|-----------------------------------|-----------|----------------------|--------------------------------------|--------------|--------------------|---------------------|-----------|------------|
| | | | | Plate | Hole Ctrs | | | | | Swivel | Footbrake | Fixed |
| 200 | 75 | 3060 | 268 | S 238 x 197 F 235 x 223 | 197 x 102 | 16 | Polyurethane Tyre / Cast Iron Centre | Taper Roller | 232 | 2ST200PTTC | - | 2FT200PTTC |
| 250 | 75 | 4250 | 319 | S 238 x 197 F 235 x 223 | 197 x 102 | 16 | Polyurethane Tyre / Cast Iron Centre | Taper Roller | 254 | 2ST250PTTC | - | 2FT250PTTC |
| 300 | 75 | 4675 | 369 | S 238 x 197 F 235 x 223 | 197 x 102 | 16 | Polyurethane Tyre / Cast Iron Centre | Taper Roller | 279 | 2ST300PTTB | - | 2FT300PTTB |



Supplied as standard.

Alternative T06 Top Plates suitable for 16mm diameter bolt. To order add T06 to Catalogue reference.

4-Way Directional Lock
A four station plunger converting swivel castors into fixed for straight line travel. Overall height is increased by 26mm.

To order add the suffix D to the Catalogue reference.



Wheel Lock
Available on all swivel castors in the 2ST range. A simple hand operated parking lock.

To order add suffix W to the Catalogue reference.



Extra Heavy Duty Castors: 250kg - 2750kg

TSX & XSX Series

A very rugged range designed to withstand the severe conditions of power towing. Swivel heads are fitted with sealed Taper Roller Bearings and are fully adjustable without the removal of the castor from the trailer. Some castors in the XSX & XFX Series are available with rubber shear discs fitted between the axle and forks. The effect is to dampen any shock loads between the wheels and the chassis. Call technical sales for further details. Load capacities to 2750Kg dependent upon tow speeds. See table below for details.



Footbrake



■ Extra Heavy Duty Range

■ Fabricated heavy gauge steel brackets

■ Sealed Taper Roller Bearing swivel ring heads

■ Selection of wheel types

■ Load Capacities of 250 - 2750Kg dependent upon tow speed

■ 4 Way directional lock option. Add suffix D to Catalogue Ref.

■ Wheel lock option. Add Suffix W to Catalogue Reference

■ Footbrake available. Add suffix B to Catalogue Reference

| Wheel Dia. (mm) | Tread Width (mm) | Load Capacity at Tow Speeds (kg) | | | | Overall Height (mm) | Plate / Bolt Hole Dimensions (mm) | | Suits Bolt Dia (mm) | Wheel Type | Bearing Type | Swivel Radius (mm) | Catalogue Reference | | |
|-----------------|------------------|----------------------------------|-------|-------|-------|---------------------|-----------------------------------|-----------|---------------------|--|--------------|--------------------|---------------------|-------------|------------|
| | | 6 kph | 10kph | 16kph | 20kph | | Plate | Hole Ctrs | | | | | Swivel | Footbrake | Fixed |
| 200 | 75 | 500 | 400 | 300 | 250 | 278 | 171 x 137 | 127 x 102 | 16 | Demountable Rubber tyre / Cast Iron Centre | Ball Journal | 176 | XSX200DR2X | XSX200DR2XB | XFX200DR2X |
| 200 | 75 | 1800 | 1440 | 1000 | 720 | 278 | 171 x 137 | 127 x 102 | 16 | Polyurethane Tyre / Cast Iron Centre | Taper Roller | 176 | TSX200PTTT | TSX200PTTTB | TFX200PTTT |
| 250 | 80 | 675 | 540 | 410 | 340 | 328 | 171 x 137 | 127 x 102 | 16 | Demountable Rubber tyre / Cast Iron Centre | Ball Journal | 202 | XSX250DR2X | XSX250DR2XB | XFX250DR2X |
| 250 | 75 | 2500 | 2000 | 1400 | 1000 | 328 | 171 x 137 | 127 x 102 | 16 | Polyurethane Tyre / Cast Iron Centre | Taper Roller | 202 | TSX250PTTT | TSX250PTTTB | TFX250PTTT |
| 300 | 80 | 800 | 640 | 480 | 400 | 379 | 171 x 137 | 127 x 102 | 16 | Demountable Rubber tyre / Cast Iron Centre | Ball Journal | 251 | XSX300DR2X | XSX300DR2XB | XFX300DR2X |
| 300 | 75 | 2750 | 2200 | 1540 | 1100 | 379 | 171 x 137 | 127 x 102 | 16 | Polyurethane Tyre / Cast Iron Centre | Taper Roller | 251 | TSX300PTTT | TSX300PTTTB | TFX300PTTT |

Wheel Lock

Available on all swivel castors in the TSX & XSX range. A simple hand operated parking lock. To order add suffix W to the Catalogue reference.



4-Way Directional Lock

A four station plunger converting swivel castors into fixed for straight line travel. To order add the suffix D to the Catalogue reference.



TSY & 2SZ Series

A range of extra heavy duty castors with kingpinless swivel bearing heads. Two large diameter hardened ball bearing raceways with hardened tracks offer superb performance. TSY castors are fitted with a single wheel, while 2SZ castors are fitted with twin wheels. Vulkollan Polyurethane tyres. Load capacities to 11400Kg



Directional Lock

A four (TSZ) or eight (2SZ) station plunger lock converting swivel castors into fixed for straight line travel. To order add the suffix D to the Catalogue reference.

Swivel Seal

A swivel seal is fitted as standard inside the swivel head.

| Wheel Dia. (mm) | Tread Width (mm) | Load Cap. (kg) | Overall Height (mm) | Plate / Bolt Hole Dimensions (mm) | | Suits Bolt Dia (mm) | Wheel Type | Bearing Type | Swivel Radius (mm) | Catalogue Reference | |
|-----------------|------------------|----------------|---------------------|-----------------------------------|-----------|---------------------|--------------------------------------|--------------|--------------------|---------------------|------------|
| | | | | Plate | Hole Ctrs | | | | | Swivel | Fixed |
| 400 | 125 | 6700 | 550 | S 255 x 205 F 255 x 230 | 210 x 160 | 20 | Polyurethane Tyre / Cast Iron Centre | Taper Roller | 320 | TSY400PT3Z | TFY400PT3Z |
| 400 | 2x125 | 11400 | 570 | ø 365 | 300 pod | 24 | Polyurethane Tyre / Cast Iron Centre | Taper Roller | 350 | 2SZ400PT3Z | 2FZ400PT3Z |